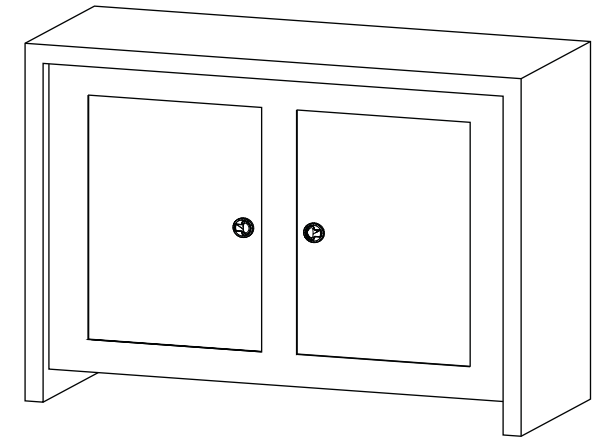
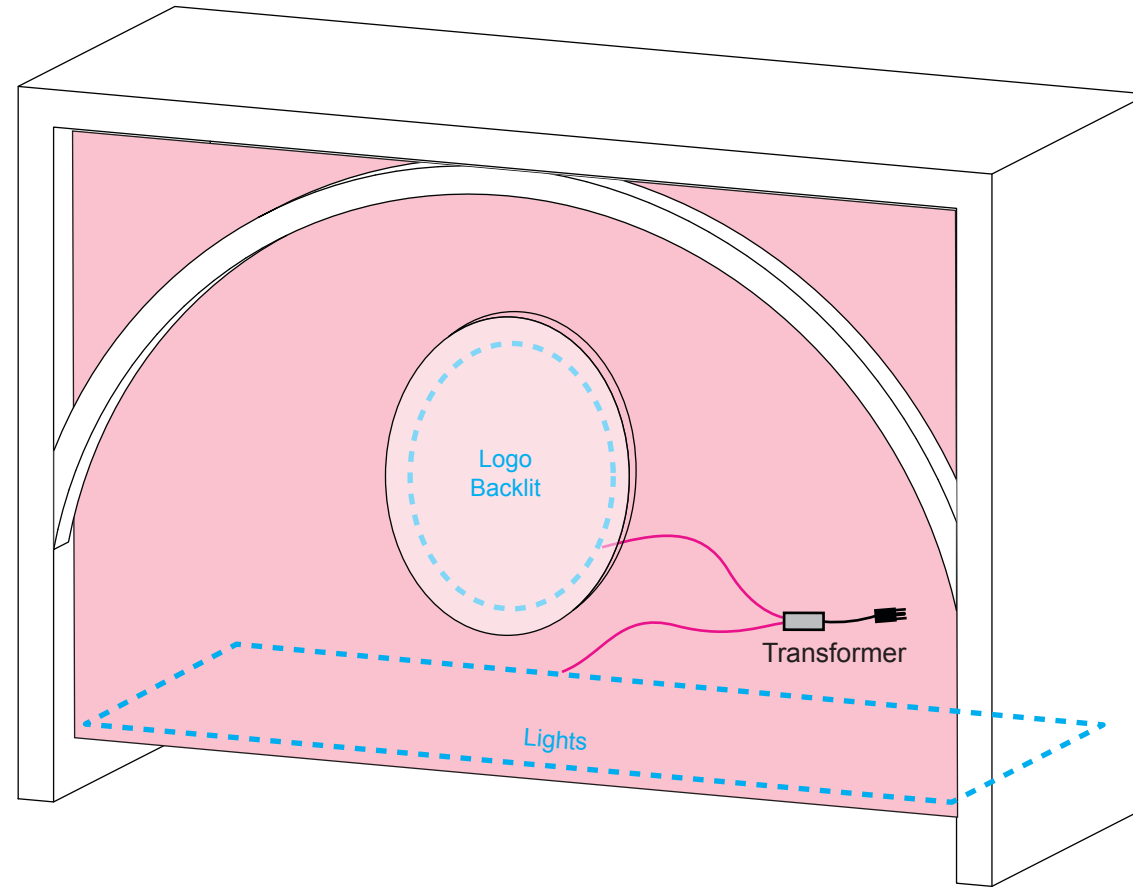


Steps:

- 1) Place counter in position on floor.
- 2) Connect power cords to LED Lights in Counter, as shown.



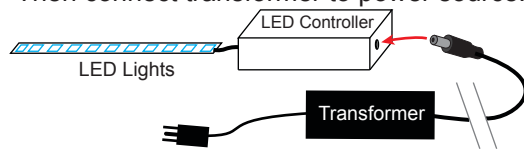
When assembled
BACK VIEW



Isometric
FRONT VIEW

*** LED Power Cord Attachment**

Connect transformer to LED Controller.
Then connect transformer to power source.



SETUP INSTRUCTIONS

General Setup Instructions

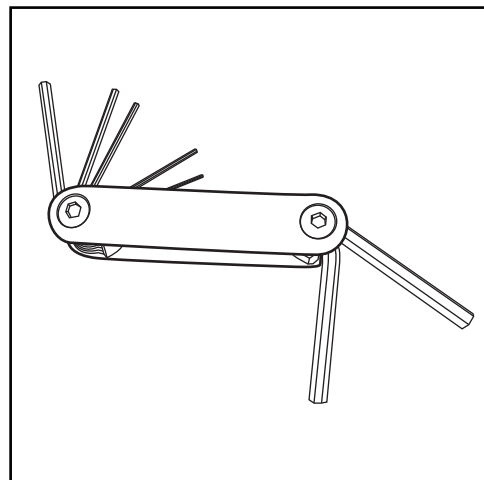
- Read entire setup instruction manual prior to unpacking parts and pieces.
- The setup instructions are created specifically for this configuration.
- Setup instructions are laid out sequentially in steps, including exploded views with detailed explanation for assembly.

Cleaning & Packing

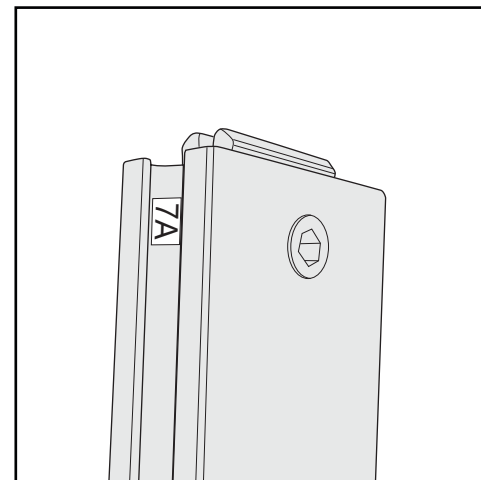
- For Cleaning Metal, Plex, & Laminate Parts: Use a **MILD NON-ABRASIVE** cleanser and soft cloth/paper towel to clean all surfaces.
- Keep exhibit components away from heat and prolonged sun exposure.
- **Heat and UV exposure will warp and fade components.**
- Retain all provided Packing Materials. All provided packing materials are for ease of repacking & component protection.

Disassembly

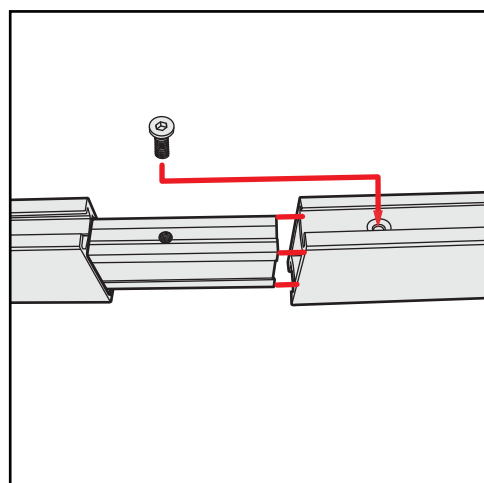
- For loss prevention, tighten all set screws and locks during disassembly.



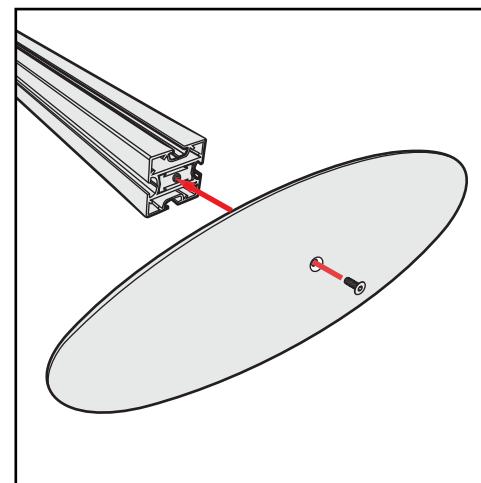
Hex Tool - Essential for Assembly



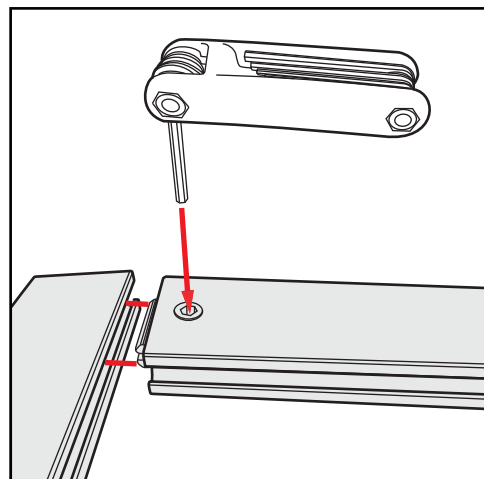
Part Identification - Numbering



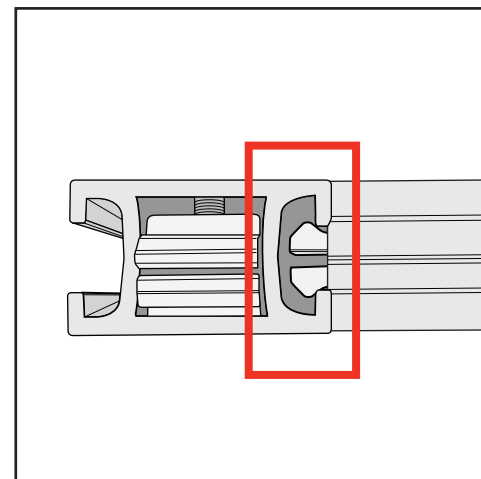
Spline Connection



Base Plate & Extrusion Connection



Extrusion & Lock Connection



Engaged Lock



WARNING

DO NOT USE POWER TOOLS



ALL CONNECTIONS MUST BE TIGHTLY SECURED

*Retain all packing materials.
DO NOT DISCARD.*

CRATE PACKING

• Assembly-Disassembly •
*If frames or parts are already assembled, do not
dissassemble. Retain Assemblies when re-packing.*