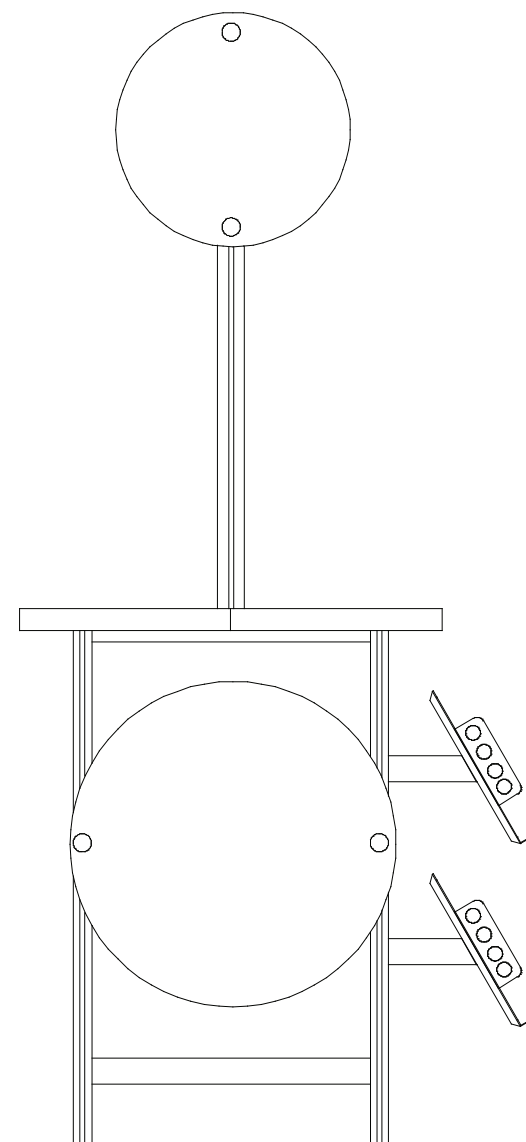
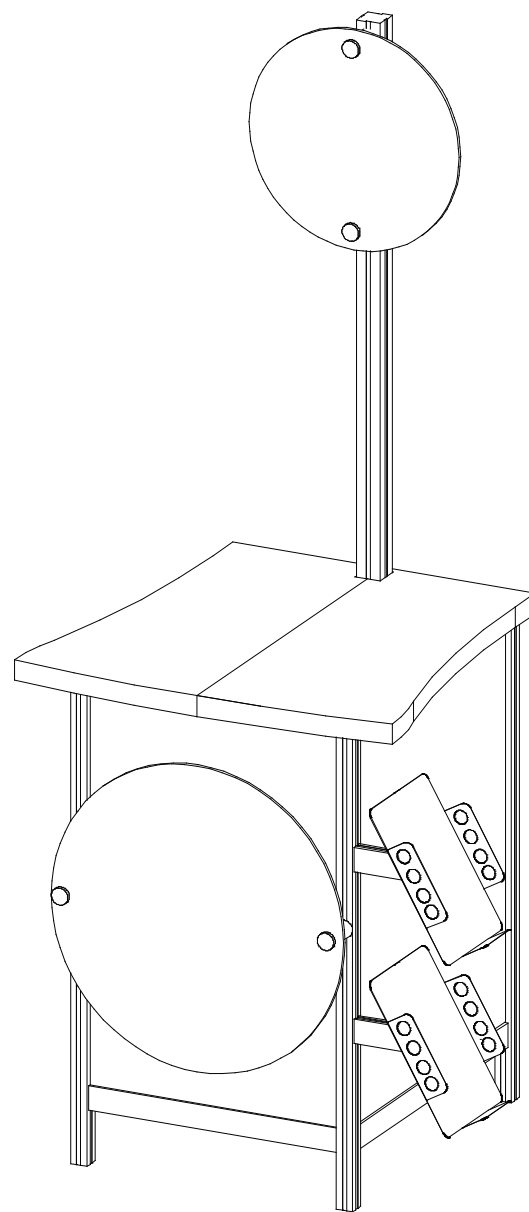


Top View



Front View

General Setup Instructions

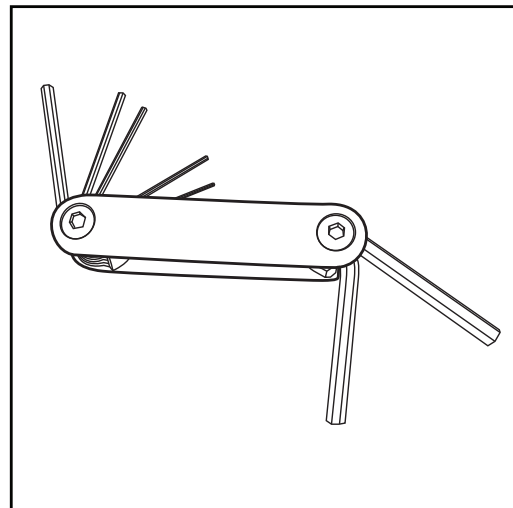
- Read entire setup instruction manual prior to unpacking parts and pieces.
- The setup instructions are created specifically for this configuration.
- Setup instructions are laid out sequentially in steps, including exploded views with detailed explanation for assembly.

Cleaning & Packing

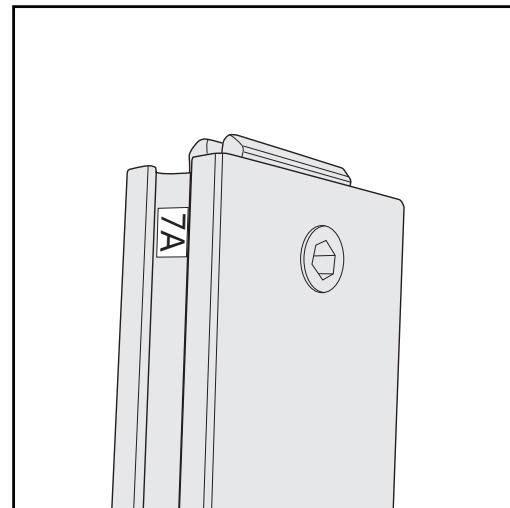
- For Cleaning Metal, Plex, & Laminate Parts: Use a **MILD NON-ABRASIVE** cleanser and soft cloth/paper towel to clean all surfaces.
- Keep exhibit components away from heat and prolonged sun exposure.
Heat and UV exposure will warp and fade components.
- Retain all provided Packing Materials. All provided packing materials are for ease of repacking & component protection.

Disassembly

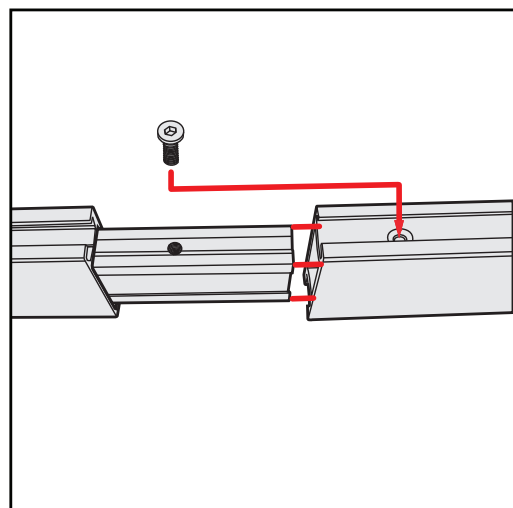
- For loss prevention, tighten all setscrews and locks during disassembly



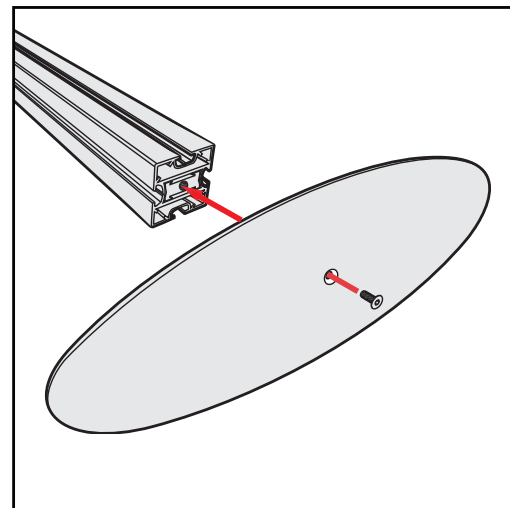
Hex Tool - Essential for Assembly



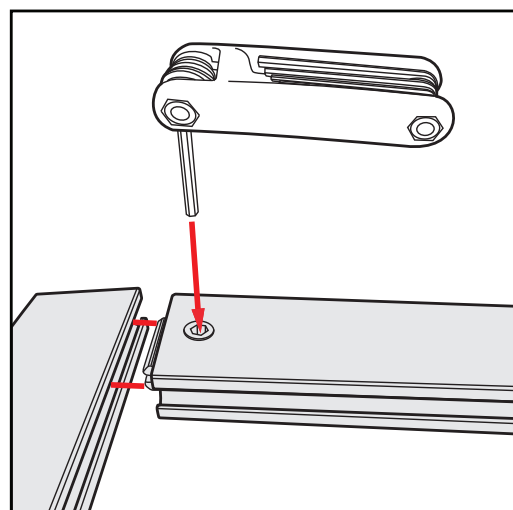
Part Identification - Numbering



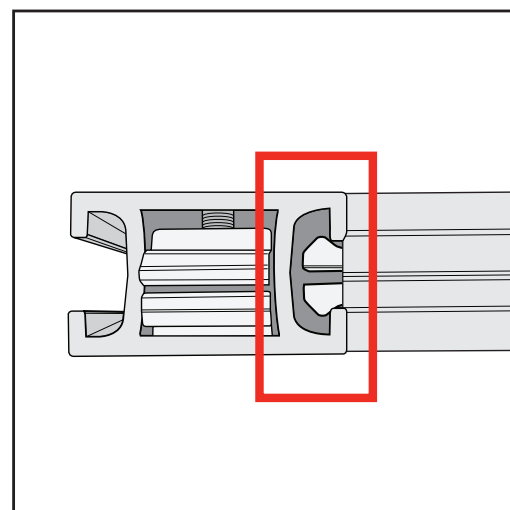
Spline Connection



Base Plate & Extrusion Connection



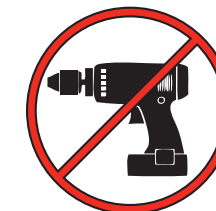
Extrusion & Lock Connection



Engaged Lock



WARNING



DO NOT USE POWER TOOLS



LADDERS OR LIFTS
MAY BE REQUIRED

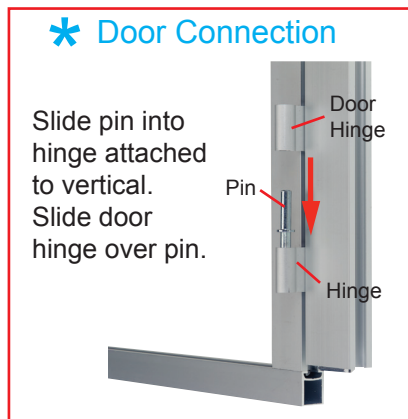


ALL CONNECTIONS MUST
BE TIGHTLY SECURED

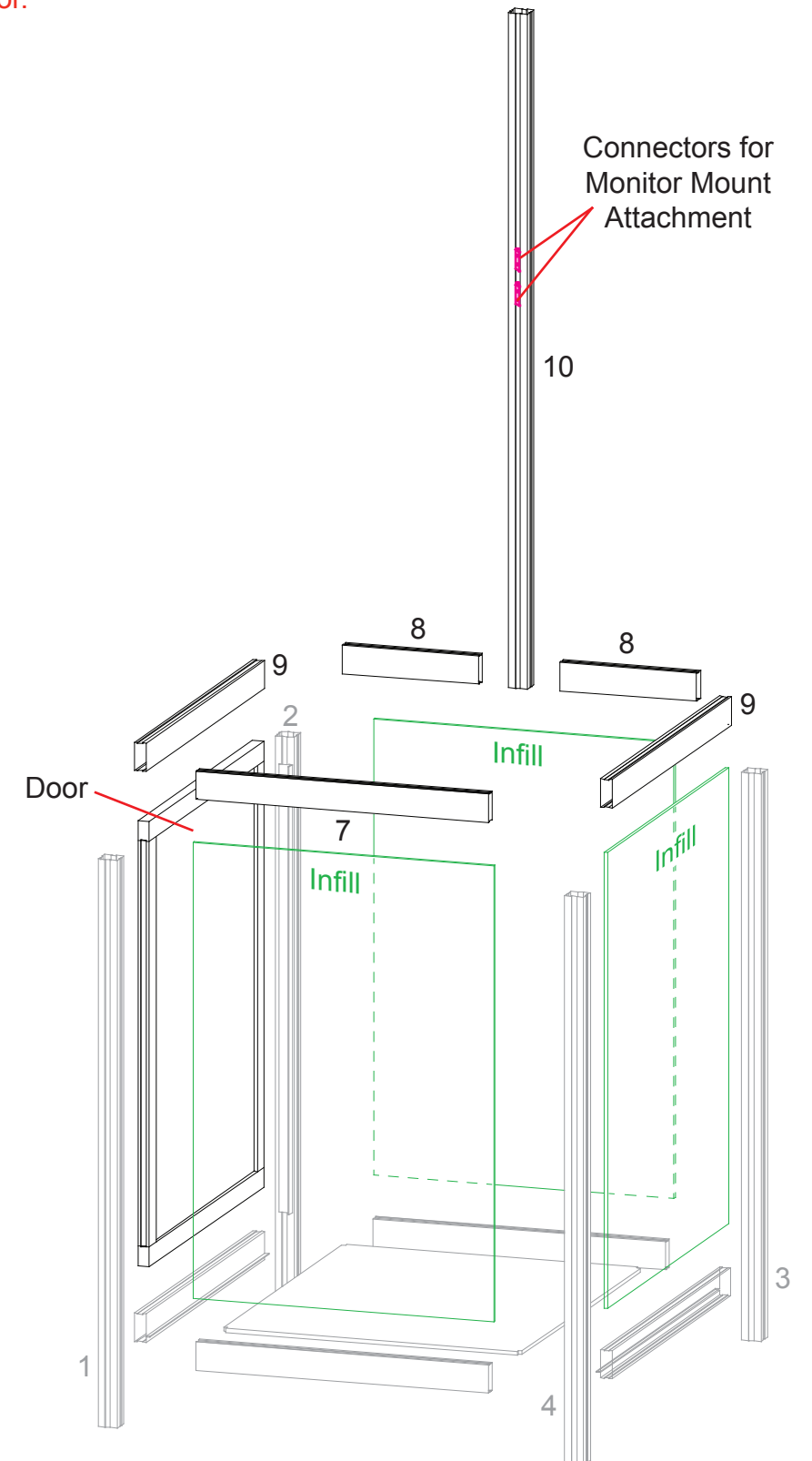
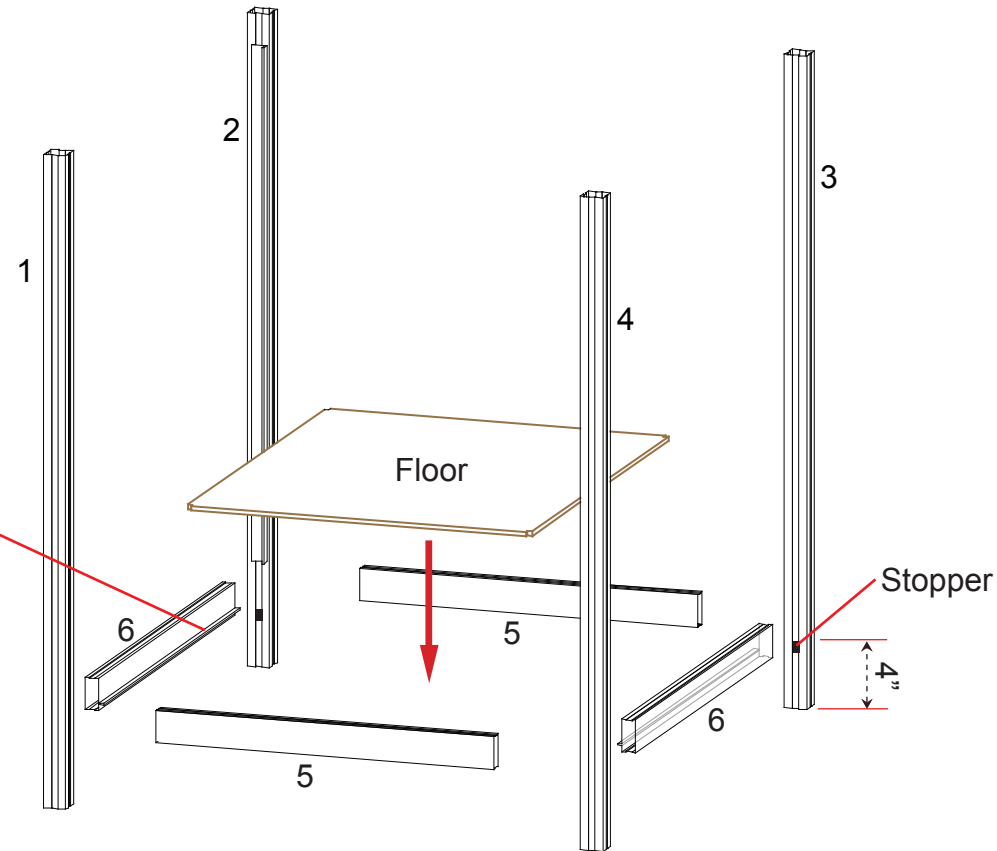
Item	Qty.	Description
1	1	36" h Vertical Extrusion w/ Door Hinges
2	1	36" h Vertical Extrusion w/ Door Stop
3	1	36" h Vertical Extrusion
4	1	36" h Vertical Extrusion
5	2	19" w Horizontal Extrusion
6	2	23" w Horizontal Extrusion
7	1	19" w Horizontal Extrusion
8	2	8.87" w Horizontal Extrusion
9	2	23" w Horizontal Extrusion
10	1	42.8" h Vertical Extrusion

Steps

- 1) Attach horizontals [5] and [6] between verticals [1] [2] [3] and [4].
Note: bottom of horizontals [6] should be on top of stoppers and 4" from floor.
- 2) Set Floor onto lips of horizontals [6].
- 3) Slide infill panels between verticals [1] [2] [3] and [4].
- 4) Attach horizontal extrusions [7] [8] and [9] between verticals [1] [2] [3] [4] and on top of infills and door.
- 5) Connect vertical [10] between horizontal extrusions [8].



Extrusions [6] have a lip for the floor to rest upon.



Steps

- 1) Velcro shelf supports to inside of assembled base.
- 2) Set internal shelf on top of supports.
- 3) Slide counter top on vertical extrusion [10] and set on assembled base.
- 4) Attach graphics to extrusions [10] & [1] [4].
See [Graphic Attachment](#) detail.
- 5) Attach literature holders to extrusion [4].
See [Literature Holder Attachment](#) detail.
- 6) Attach monitor mount to extrusion [10].
See [Monitor Mount](#) detail.

